

Breeza

Round White / Biscuit
Elongated White / Biscuit



Breeza Key Features:

- 4 stage deodorizer
- Natural fragrance vent
- Gentle-closing seat and lid
- Anti-microbial surfaces
- Powered by two "D" cell batteries

Breeza Accessories

breeza filter

replaceable deodorizing cartridge



- Activated carbon filter
- Eliminates up to 95.8% of bathroom odors at the source
- Six months of continuous deodorizing action

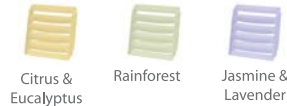
breeza vent

replaceable fragrance cartridge

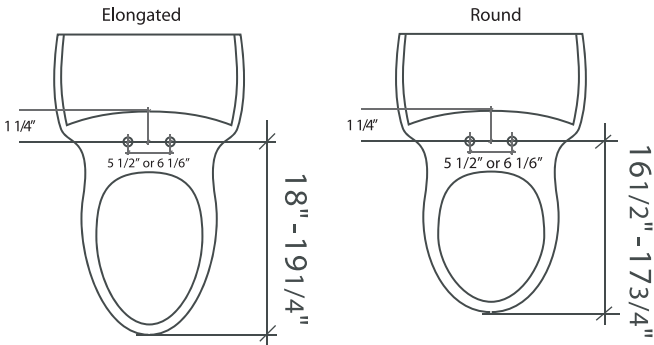


Breeza™ Vent is infused with natural extracts, providing a light, pleasant fragrance

Available Breeza™ Vent fragrances:



One month of continuous aromatic freshening per vent.



Features

Breeza

Features	Breeza		
4 stage deodorizing system	✓		
Body-activated smart sensor	✓		
Ultra-quiet fan	✓		
Replaceable activated-carbon filter	✓		
Replaceable fragrance vent	✓		
Gentle-closing seat & lid	✓		
Anti-microbial seat & lid	✓		
Stylized, contoured design	✓		
Ergonomic seat	✓		
Easy to read LED display	✓		
Heated seat (adjustable temperature)			
Easy one button control panel			
"Set and Forget" power save mode			
Limited warranty	5 year		
Seat temperature	N/A		
Power cord length	N/A		
Rated power consumption	0.6W		
Power supply	Two "D" cell batteries		
Battery life	Up to 9 months*		
Carbon filter life	6 months		
Fragrance vent life	1 month		
Product weight	4.6 lbs		
Installation (typical time)	Less than 15 minutes		
Colors & Sizes	White	BR30-RW	
	Round	Biscuit	BR30-RB
	Dimension	White	15.1"W x 19.5"L x 2.9"H
	White	BR30-EW	
Elongated	Biscuit	BR30-EB	
	Dimension	White	15.1"W x 20.0"L x 2.9"H

* Depends on usage

Seat Dimensions

Round: 15"W x 19"L x 2.9"H
Elongated: 15"W x 20"L x 2.9"H

